

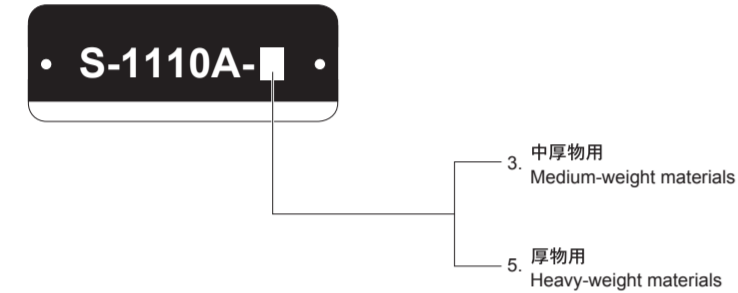
brother

S-1110A

パーツリスト PARTS LIST

1 本針高速本縫ミシン HIGH SPEED SINGLE NEEDLE STRAIGHT LOCK STITCHER

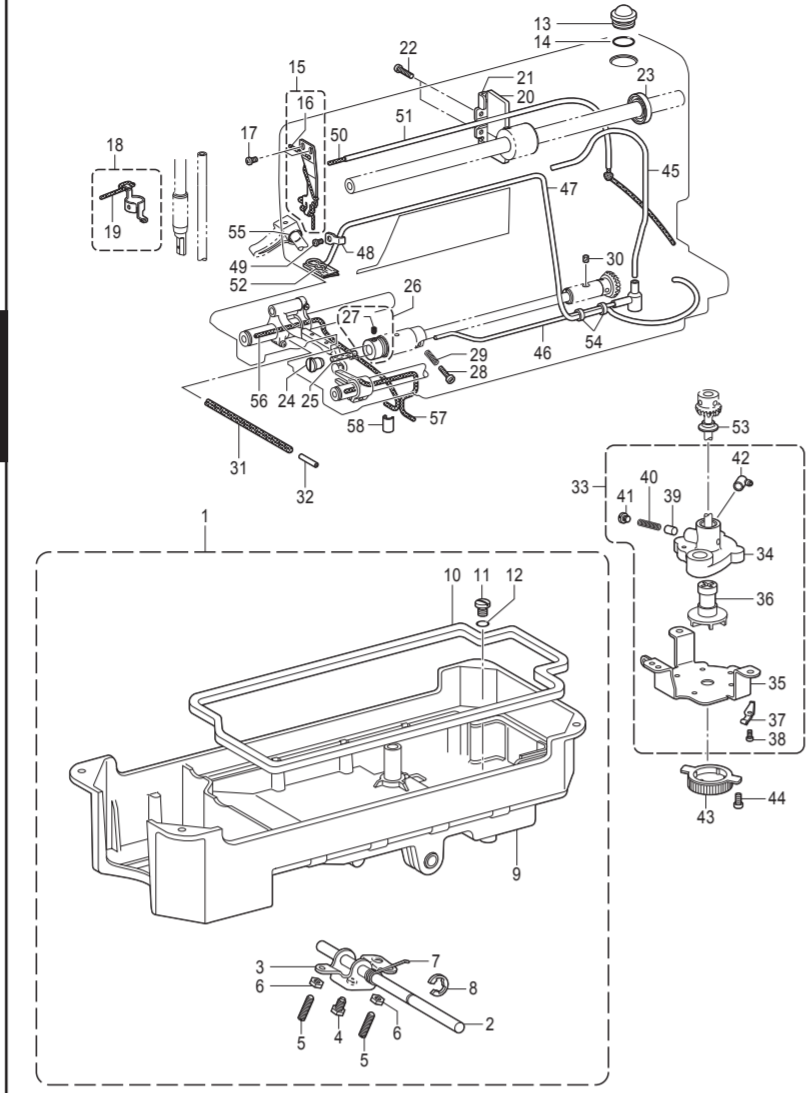
型式板の見方 Description of model plate



- 1. このリストは、2011年4月のデータに基づいて作成されたものです。
2. 部品は予告なしに設計変更される場合があります。
3. 組単位で補給する部品は、破線で示してあります。
4. イラスト中の数字の末尾に "+" が付いている場合は、仕様異なりますのでリストを参照ください。
5. リスト中の CODE 欄に "* Ga." がある場合は、仕様異なりますので、項目 "Ga. ゲージ部品一覧" を参照ください。

- 1. This list was prepared based on information available in April 2011.
2. Parts are subject to changes in design without prior notice.
3. Parts supplied as complete assemblies are circled in a dotted line.
4. If the symbol "+" is found at the end of number in the figure, refer to the parts list, because specification differs.
5. If the symbol "* Ga." is found in CODE column in list, refer to item the "Ga. Gauge parts list", because specification differs.

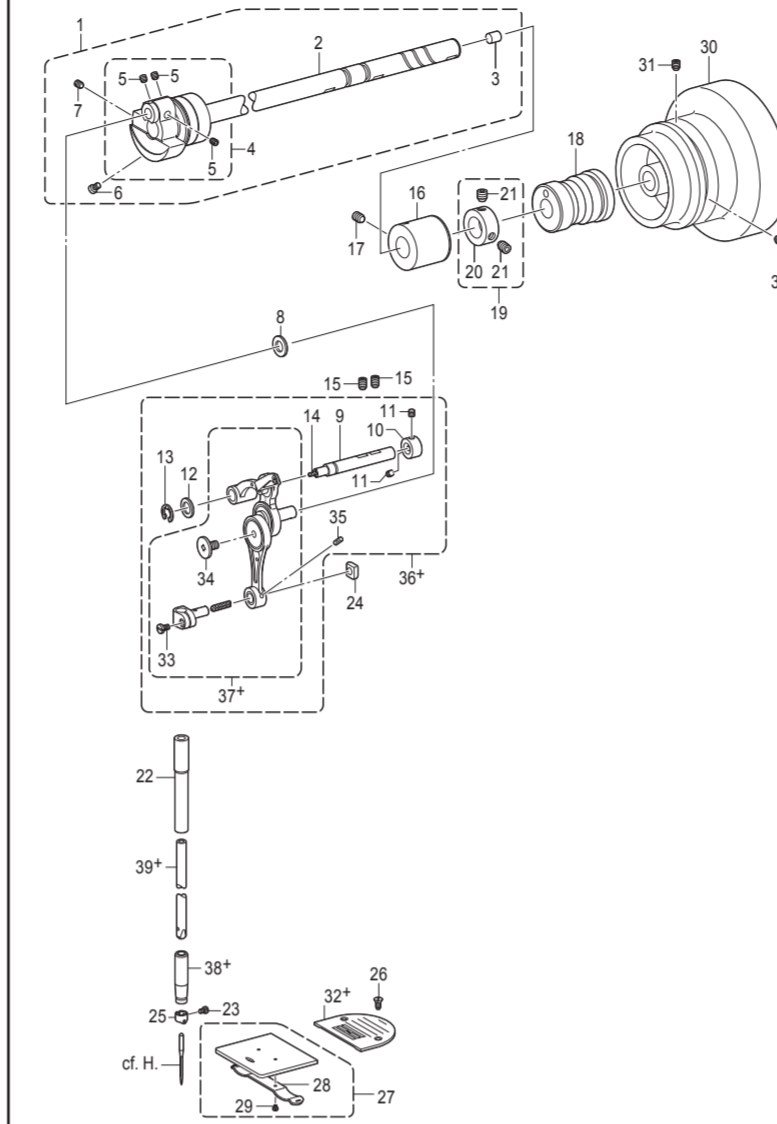
A. 給油潤滑関係 / Lubrication



S-1110A-350

Table with 5 columns: REF.NO, CODE, QTY, 品名, NAME OF PARTS. Lists parts for the lubrication system including oil pan, shafts, and various screws.

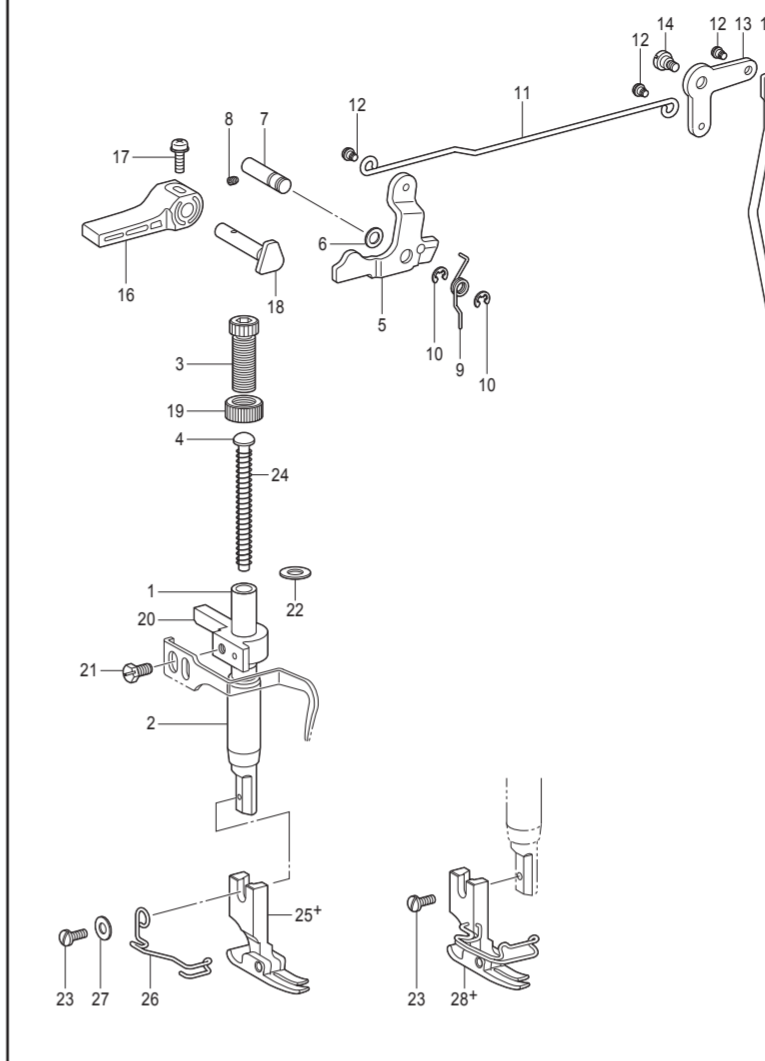
B. 針棒・天秤関係 / Needle bar and thread take-up mechanism



S-1110A-101

Table with 5 columns: REF.NO, CODE, QTY, 品名, NAME OF PARTS. Lists parts for the needle bar and thread take-up mechanism including upper shaft, needle bar, and various guides.

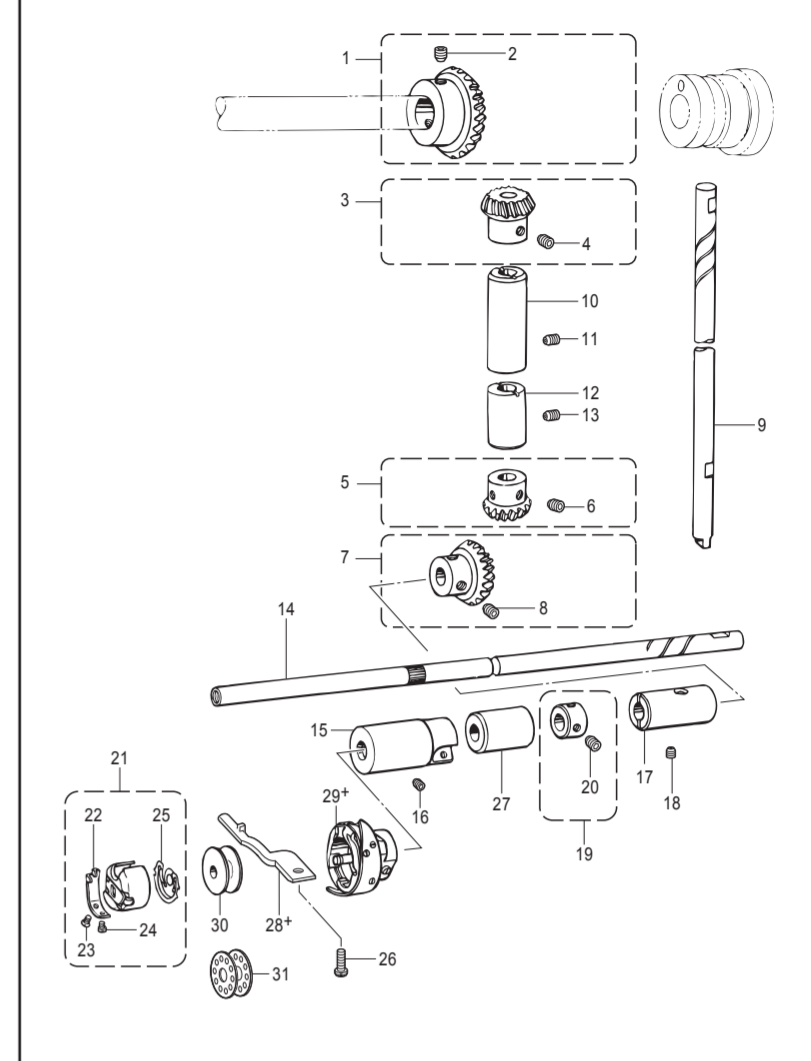
C. 押え関係 / Presser foot mechanism



S-1110A-201

Table with 5 columns: REF.NO, CODE, QTY, 品名, NAME OF PARTS. Lists parts for the presser foot mechanism including presser bar, presser bar bush, and presser foot.

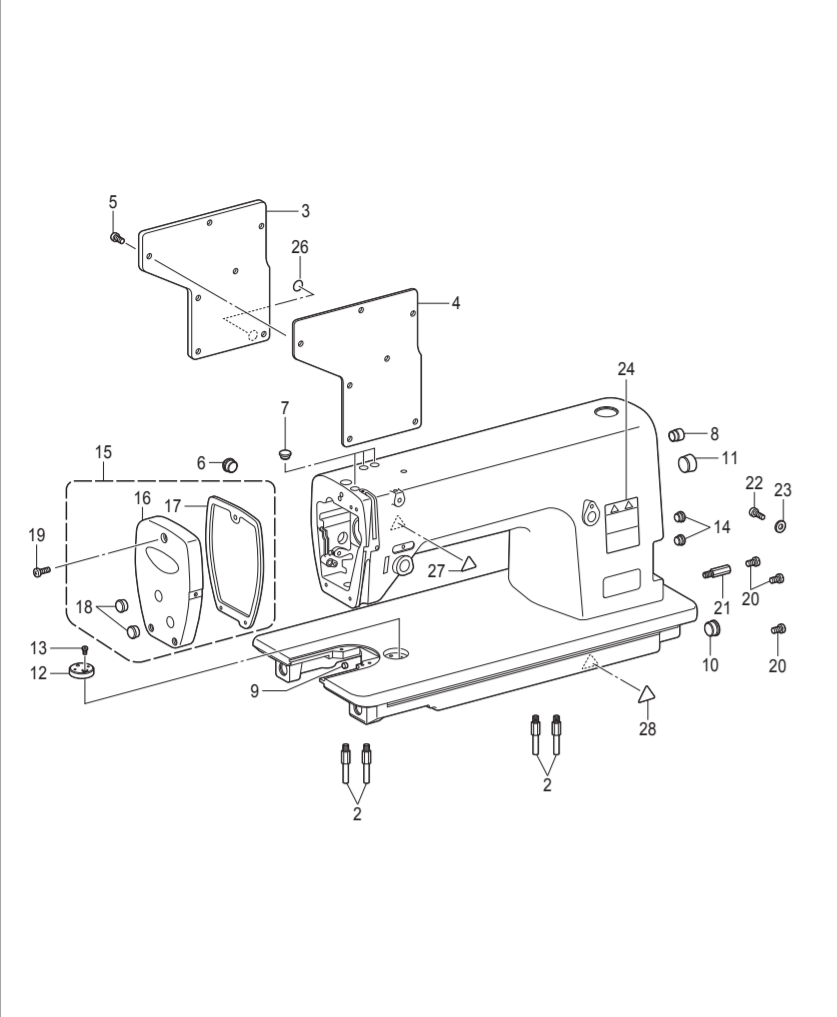
D. かま関係 / Rotary hook mechanism



S-1110A-301

Table with 5 columns: REF.NO, CODE, QTY, 品名, NAME OF PARTS. Lists parts for the rotary hook mechanism including upper shaft bevel gear, vertical bevel gear, and needle bar bush.

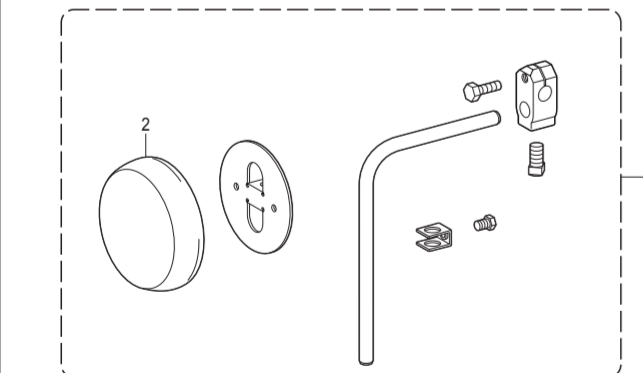
E. 主体関係 / Machine body



S-1110A-050

Table with 5 columns: REF.NO, CODE, QTY, 品名, NAME OF PARTS. Lists parts for the machine body.

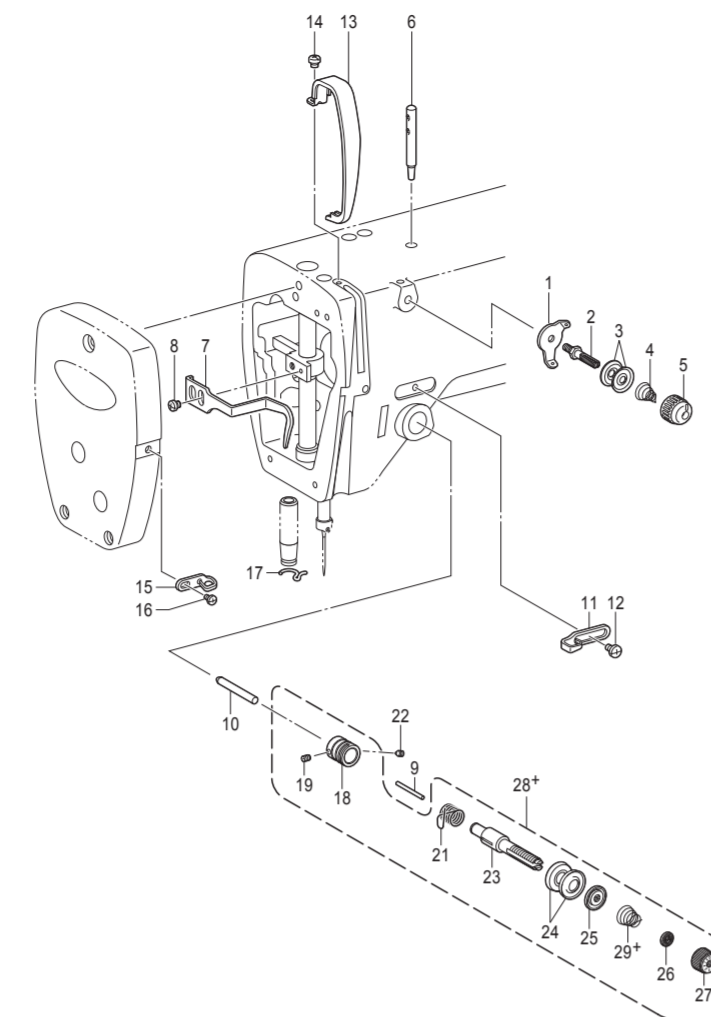
F. 膝上げ関係 / Knee lifter mechanism



S-1110A-203

Table with 5 columns: REF.NO, CODE, QTY, 品名, NAME OF PARTS. Lists parts for the knee lifter mechanism.

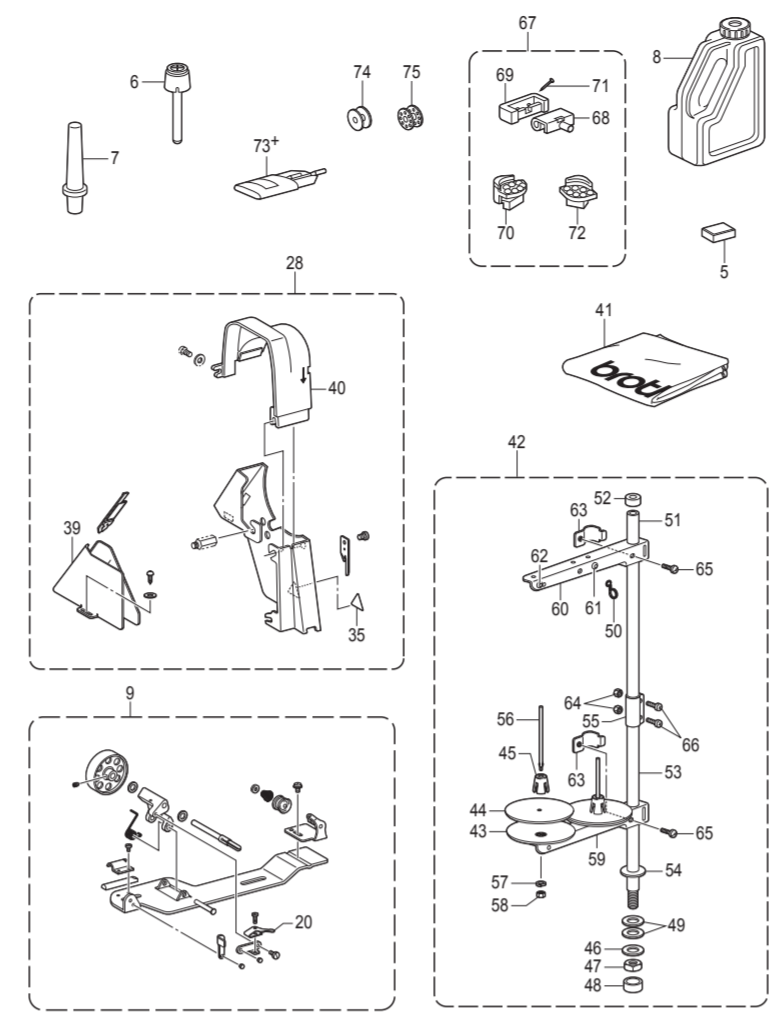
G. 糸通し関係 / Threading mechanism



S-1110A-401

Table with 5 columns: REF.NO, CODE, QTY, 品名, NAME OF PARTS. Lists parts for the threading mechanism.

H. 付属品関係 / Accessories



S-1110A-910

Table with 5 columns: REF.NO, CODE, QTY, 品名, NAME OF PARTS. Lists accessories and their part numbers.

J. 送り関係 / Feed mechanism

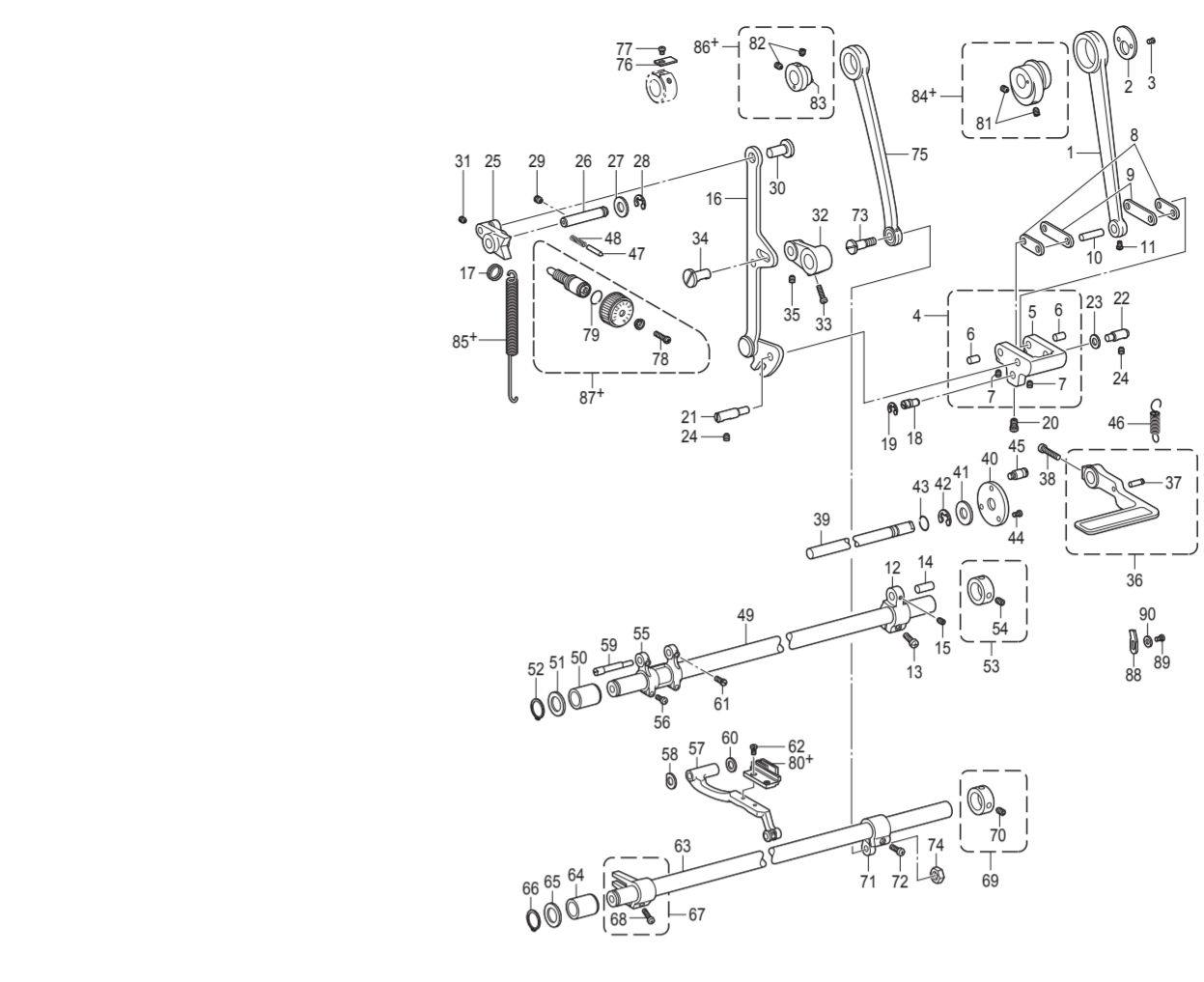


Table with 5 columns: REF.NO, CODE, QTY, 品名, NAME OF PARTS. Lists parts for the feed mechanism.

Table with 5 columns: REF.NO, CODE, QTY, 品名, NAME OF PARTS. Lists parts for the feed mechanism (continued).

Wa. 警告ラベル / WARNING LABELS

Table with 4 columns: 警告ラベル / Warning labels, 品名 / Name of parts, Size (mm), Code. Lists warning labels and their specifications.

Ga. ゲージ部品一覧 / Gauge parts list

Table with 6 columns: 仕様 / Specification, 仕向 / Destination, 針板 / Needle plate, 送り歯 / Feed dog, 押え組 / Presser foot assy, and additional codes. Lists gauge parts and their specifications.